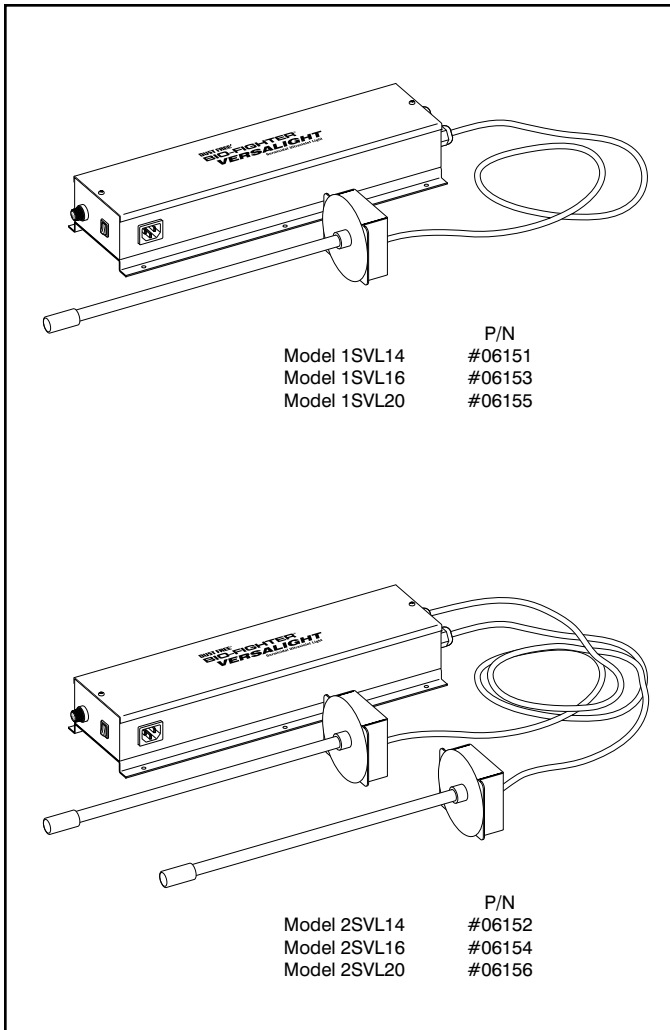


BIO-FIGHTER®

VersaLight 1S and 2S Ultraviolet Light Systems

Installation & Operation Manual



GENERAL

This product is designed to help disinfect the internal surfaces of heating, ventilation, and air conditioning systems. Bacteria and viruses that are in the air stream that passes through the system will also be reduced. The result is an improved level of indoor air quality for occupants and improved system hygiene.

The Bio-Fighter® emits ultraviolet(UV-C) radiation at a frequency of 254 nanometers, which has been proven effective in damaging the DNA of microorganisms such as viruses, bacteria, yeast and molds. This process either destroys the microorganism or neutralizes its ability to reproduce.



FEATURES

- Reduces or prevents mold growth on HVAC coils, allowing them to operate at peak efficiency. Also destroys bacteria, viruses, fungi, and yeasts.
- High output, long life UV-C lamps.
- Remote-mount lamp configuration.
- Multi-input voltage electronic ballast.
- Odor control (O3) lamps available.

INCLUDED INSIDE BOX

- Bio-Fighter® VersaLight UV-C system
- UV-C bulb(s)
- Power cord
- Viewport(s)
- Gasket(s)
- Sheet metal screws
- Installation & operation manual
- UV warning label for duct

TOOLS REQUIRED FOR INSTALLATION

- Electric drill
- Phillips screw bit or screwdriver
- 1/2" drill bit
- 1" drill bit or holecutter
- Eye protection

BEFORE INSTALLING

- Read all instructions carefully. Failure to do so could damage the equipment or cause harm to yourself or others.
- Acknowledge all warnings.
- Only qualified technicians should perform the installation.

Dimensions

Base - 16 1/2"L x 5 1/8"W x 2 3/4"H

Remote Lamp Housing - 3 5/8"L x 3"W x 1 1/4"H

Weight:

VersaLight 1S - 6 1/2 lbs.

VersaLight 2S - 6 3/4 lbs.

Electrical:

120V-240V, 50/60Hz, 1PH. 3 amp-250V fuse.

Operating Environment:

45° F - 150° F (Outside of duct.)

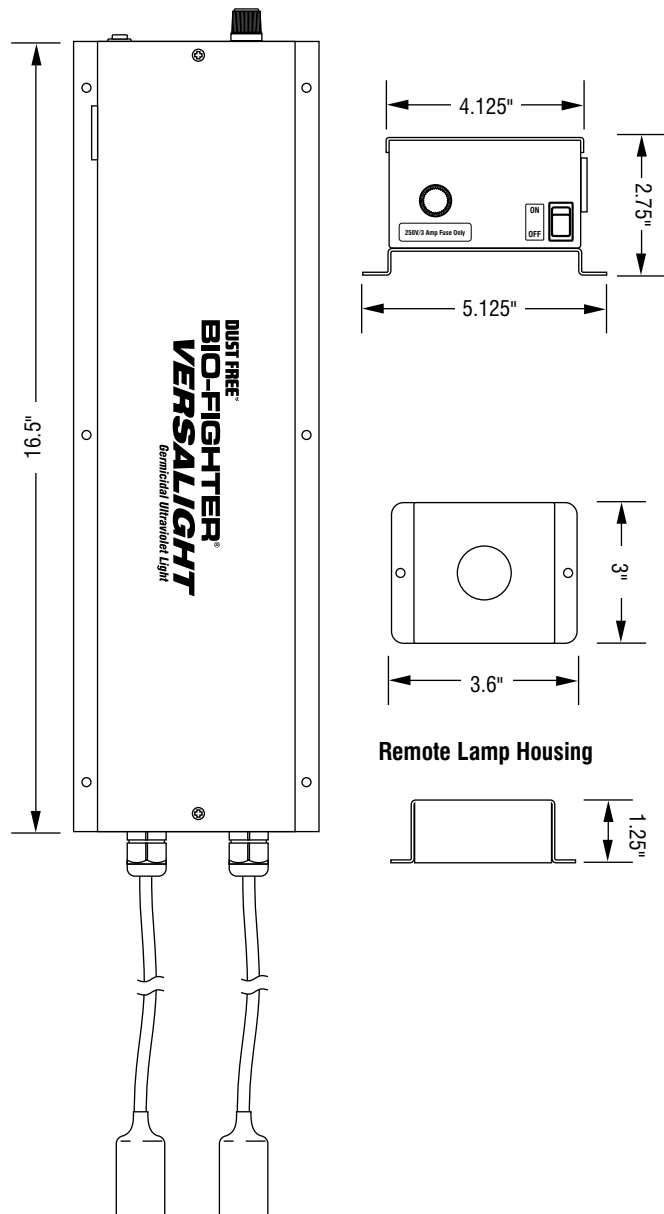
Listings:

FIFRA - File # 73316

(Federal Insecticide Fungicide Rodenticide Act)

ETL Safety Agency - File #2002554

Specifications subject to change without notice.



SELECTING A LOCATION

This device installs in the air handling system and is best suited for hallway closet upflow applications or applications where space in front of the AHU is very limited. Select a mounting location with enough clearance for the lamp to be installed and replaced easily. Allow approximately 14"-20" depending on lamp length.

A 120V or 240V electrical outlet is required, depending on model. Any modification to the supplied power cord will void ETL safety listing and Dust Free warranty.

Special Installation Notes

- Do not install in closet return grille applications.
- Do not install in outdoor applications.
- Do not expose wiring or plastic parts to UV-C light.
- Do not install beneath a humidifier.

Important:

The device must be installed in compliance with all national and local electrical and mechanical codes. Failure to do so will void ETL safety listing and Dust Free® warranty.

BASE MOUNTING (Fig.1)

Place the base at the desired location and use the included mounting screws to install the base to the surface.

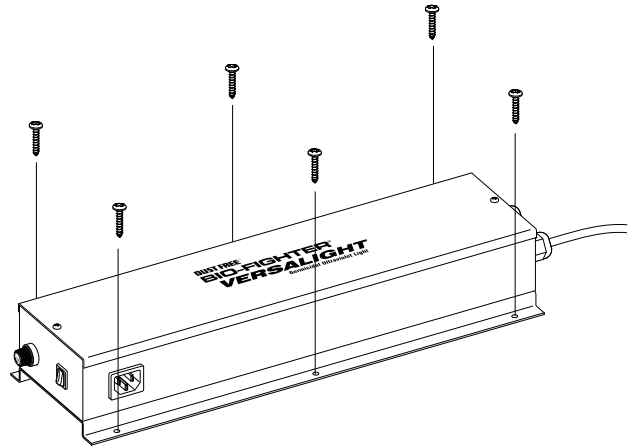


Fig. 1 Use included mounting screws to install device at desired location.

REMOTE LAMP MOUNTING (Fig.2)

Remove the remote lamp housing from the remote lamp base by removing the knurled nuts. Then install the remote lamp base to the surface with the includes mounting screws. Using the remote lamp base as a template, drill a 1" hole for the lamp. Repeat for the second lamp base if applicable.

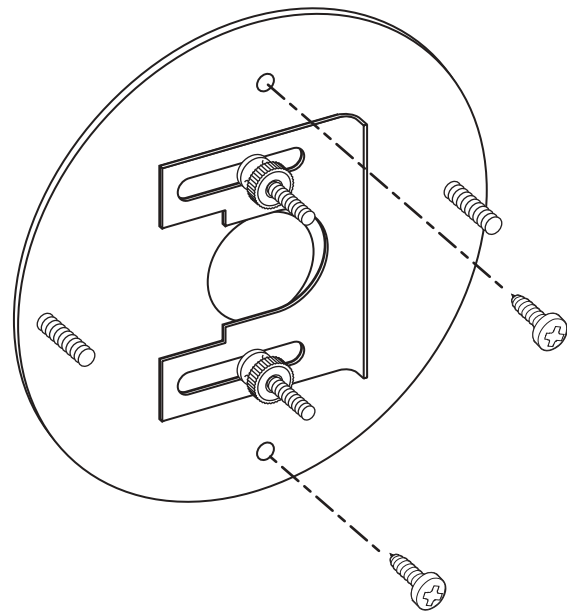


Fig. 2 Lamp is secured with a sliding bracket tightened with two knurled nuts.

⚠ WARNING

UV-C Light Hazard.
 UV-C light can cause temporary or permanent loss of vision, and sunburn. To prevent exposure, do not install device in any applications that allows UV-C light to be visible after installation.

⚠ CAUTION

UV-C Light May Degrade Plastic and Rubber.
 Shield exposed plastic drain pans, wire insulation, flex duct, or other plastic/rubber components from UV-C light.

INSTALLING THE LAMP (Fig.3)

To maximize the efficiency and life of the UV-C lamp, clean each lamp prior to installation. Use isopropyl alcohol and cotton cloth to wipe dust and fingerprints from the lamp.

Gently insert the lamp into the lamp hole. Slide the bracket over the the retaining lip of the lamp and tighten the two knurled nuts until the lamp is securely fastened. The lamp seals against the base of the unit using a rubber grommet which prevents air leaks. Repeat for each lamp of the installation.

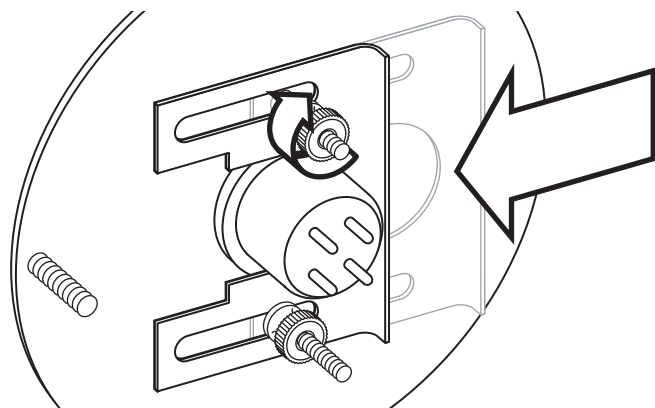


Fig. 3 Lamp is secured with a sliding bracket tightened with two knurled nuts.

⚠ CAUTION
Sharp Edge Hazard.
 Be careful of sharp edges on device and HVAC equipment while installing the device. Personal injury may result.

⚠ CAUTION
Clean lamp(s) prior to installation.
 Failure to remove dirt and fingerprints from the lamp(s) could shorten their lifespan.

⚠ WARNING
UV-C Light Hazard.
 UV-C light can cause temporary or permanent loss of vision, and sunburn. Take precautions to protect eyes and skin from direct exposure.

REMOTE LAMP HOUSING (Fig.4)

After lamp has been installed, reinstall the remote lamp housing using the knurled nuts. The remote lamp housing must be in place prior to attaching the electrical harness.

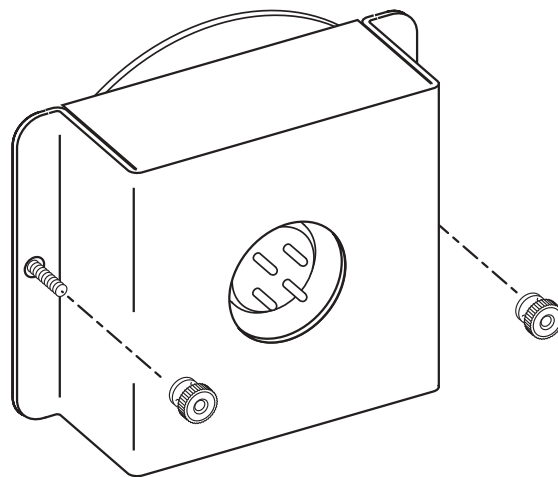


Fig. 4 Reinstall lamp housing.

CONNECTING THE HARNESS (Fig.5)

With the lamp housing in place attach the connector to the lamp. Hold back the protective boot to expose the harness connector. The harness connector is asymmetrical and can only be attached one way. If the harness does not attach easily, rotate 90 degrees and try again. After the harness connector is attached, slide the protective over the lamp/connector. The protective boot fits snugly over the lamp and seals the connection from moisture.

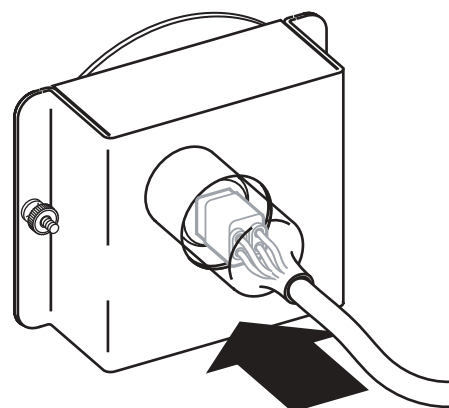


Fig. 5 Attach lamp harness to lamp. The plastic boot slips over the lamp and seals the connection from moisture.

INSTALLING THE VIEWPORT

The VersaLight comes with a UV-C safe viewport that must be installed separately. To install the viewport, select a location near the VersaLight installation and drill a 1/2" hole in the duct. Then press the viewport into the hole.

CONNECT POWER AND CHECK OPERATION

With the cover replaced, connect the Triad to proper power. The device power switch must be turned on and device checked for operation using the viewport. The lamp(s) should be radiating a bright blue light.

OPERATION

Under normal conditions the Bio-Fighter® Triad should be operated continuously to extend the life of the lamp(s), and to increase the effectiveness in disinfecting the location selected. A convenient power switch is located on the device, and should be turned off before any maintenance on the device or HVAC system is performed.

IF THE LAMP DOES NOT ILLUMINATE

- Check that the lamp connector is securely attached to lamp.
- Check that the fuse is in good working order. Replace if necessary.
- Check that proper power is being supplied to the device, and that switch lights when turned on.

LAMP REPLACEMENT(Annually)

The lamp should be replaced annually even if it appears to be operating normally. UV-C energy production diminishes over time.

1. Obtain the correct replacement lamp for your model.
2. Disconnect power to the equipment.
3. Open the cover of the device. *Allow lamp to cool 10 minutes before touching.*
4. Disconnect the electrical connector to the lamp.

5. Unscrew the two knurled nuts of the lamp retaining bracket and slide the bracket away from the lamp retaining lip.
6. Carefully remove the UV-C lamp and replace it with the new lamp. Be sure to clean the lamp of dust and fingerprints prior to installation.
7. Slide the retaining bracket back in place and tighten knurled nuts.
8. Reconnect electrical connector to the lamp.
9. Close the cover of the device.
10. Reconnect power.
11. Verify operation.

FUSE REPLACEMENT

1. Disconnect power cord.
2. Unscrew the knob marked "Fuse" and remove fuse.
3. Install new fuse and screw knob back in place. Only use a 250V/3 amp fuse.
4. Reconnect power cord.

WARNING

Burn Hazard.

During replacement, allow lamps to cool 10 minutes before removing them. Personal injury may result.

WARNING

Mercury Hazard. Do Not Break.

Each UV-C lamp contains a small amount of Mercury. May cause redness or irritation. Use proper disposal techniques in case of breakage.

WARNING

UV-C Light Hazard.

UV-C light can cause temporary or permanent loss of vision, and sunburn. Take precautions to protect eyes and skin from direct exposure.

LAMP DISPOSAL

Dispose of your spent UV-C lamps at your local recycling center. You may also send your spent lamps in the same container you received your replacement lamps to:

Dust Free® Lamp Reclamation

1112 Industrial Park Drive

Royse City, TX 75189

PROPER CLEAN-UP TECHNIQUE IN CASE OF LAMP BREAKAGE

- Wear protective gloves, eyewear and mask.
- Sweep the broken glass and debris into a plastic bag, seal the bag, and dispose of properly. Contact your local waste management office for proper disposal.
- **Do not use a vacuum cleaner. Do not incinerate.**

Replacement Parts	Part No.
UV-C Lamp - 14"	06157
UV-C Lamp - 16"	06032
UV-C Lamp - 20"	06033
UV-C-O3 Lamp - 14"	06162
UV-C-O3 Lamp - 16"	06072
UV-C-O3 Lamp - 20"	06073
Ballast - Multi-Voltage	06190
Power Cord	212261-00
Power Cord Receptacle	212106-00
Slide Bracket Springs (2)	210-0005-001
Slide Bracket	210929-00
Knurled Nuts (2)	210226-00
Lighted On/Off Switch	750-0026-001
Fuseholder	212225-00
Fuse	750-0108-001

For information on the dealer in your area call: 1-972-635-9564.
Visit us at <http://www.dustfree.com>

LIMITED LIFETIME WARRANTY

Dust Free Inc. warrants this Bio-Fighter UV-C Light to be free from defects in materials and workmanship under normal use and service, for as long as it is owned by the original purchaser. This warranty does not cover UV-C lamp(s), which carry a one (1) year warranty from the date of installation, or the ballast(s) which carry(s) a three (3) year warranty.

This warranty does not cover cosmetic damage, damage due to acts of God, damage as a result of handling or shipment, negligence, misuse, connection to improper voltage, improper maintenance, or abuse. This warranty is void if defect(s) result from failure to have this unit installed by a qualified, properly licensed, heating and air conditioning contractor in compliance with all local building and construction codes.

Dust Free Inc.'s exclusive obligation under this warranty shall be to supply, without charge, a replacement for any covered component of the Bio-Fighter UV-C Light which is found to be defective within the parameters defined herein. Dust Free Inc. reserves the right to replace or repair the defective part or component.

DUST FREE INC. SHALL NOT BE LIABLE FOR ANY LOSS OR DAMAGE OF ANY KIND, INCLUDING ANY INCIDENTAL OR CONSEQUENTIAL DAMAGES RESULTING, DIRECTLY OR INDIRECTLY, FROM ANY BREACH OF WARRANTY, EXPRESS OR IMPLIED, OR ANY OTHER FAILURE OF THIS PRODUCT. (Some states do not allow the exclusion or limitation of incidental or consequential damages, so this limitation may not apply to you.) THE WARRANTIES SET FORTH HEREIN ARE EXCLUSIVE AND DUST FREE INC. EXPRESSLY DISCLAIMS ALL OTHER WARRANTIES, WHETHER WRITTEN OR ORAL, IMPLIED OR STATUTORY, INCLUDING BUT NOT LIMITED TO ANY WARRANTIES OF MERCHANTABILITY, WORKMANSHIP, OR FITNESS FOR A PARTICULAR USE. If the limited warranty is void due to failure to use a qualified contractor all disclaimers of implied warranties shall be effective upon installation.

How to make a warranty claim or have questions answered:

Should you have a warranty claim or questions about the warranty policy, contact the distributor or dealer from which you purchased the product. Proof of original purchase and proof of identity that the original purchasing party is filing the claim is required in order to initiate a warranty claim. Defective parts must be returned no later than thirty (30) days after the failure to the installing contractor together with the model number, serial number, and date of installation. All service and removal must be performed by a licensed HVAC contractor. You must pay shipping charges and all other costs of warranty service. Warranty is only valid the United States and Canada.

THIS WARRANTY SHALL NOT OBLIGATE THE MANUFACTURER FOR ANY LABOR COSTS AND SHALL NOT APPLY TO DEFECTS IN WORKMANSHIP OR MATERIALS FURNISHED BY THE INSTALLING CONTRACTOR AS CONTRASTED TO DEFECTS IN THE GERMICIDAL LIGHT ITSELF.

NOTE: Do not return any products or parts to the factory without a factory issued Return Authorization number issued by the Dust Free Inc. customer service department.

In the event you have any questions concerning the use and care of this product or this warranty which have not been answered to your satisfaction by the distributor or dealer, please call or write the factory.

Dust Free, Inc
PO Box 519
1112 Industrial Park Drive
Royse City, TX 75189
1-972-635-9564